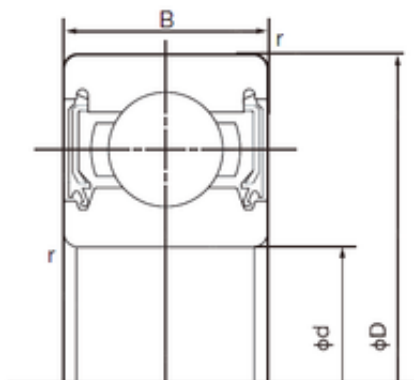


NACHI High Speed 6805-2nse 6805nse 6900-2nse Ball Bearing for Electric Machinery

Bearing No. 6805-2nse



6805-2nse Bearing 2D drawings and 3D CAD models

Size	25x37x7 mm
Bore Diameter	25 mm
Outer Diameter	37 mm
Width	7 mm
d	25 mm
D	37 mm
B	7 mm
C	7 mm
r min.	0.3 mm
da min.	27 mm
Da max.	35 mm
ra max.	0.3 mm
Weight	0.022 Kg
Basic dynamic load rating (C)	4,3 kN
Basic static load rating (C0)	2,94 kN